

The logo consists of the word "EUROLINIA" in a bold, black, sans-serif font, centered between two horizontal red bars. Each bar has a white diagonal line running from the top-left to the bottom-right.

EUROLINIA

The background of the cover features a close-up, low-angle view of a white, curved metal component, likely a part of a heater or fan. The component has a smooth, polished surface and a series of parallel ridges. In the background, two flexible, corrugated metal tubes are visible, curving upwards. The overall aesthetic is clean and technical, with a focus on the product's design and materials.

EUROLINIA Product
Guide
THINK.INNOVATE.INFRARED

www.infra-heater.com tel: +7 925 464 6155   info@infra-heater.com

CERAMIC INFRARED HEATING ELEMENTS

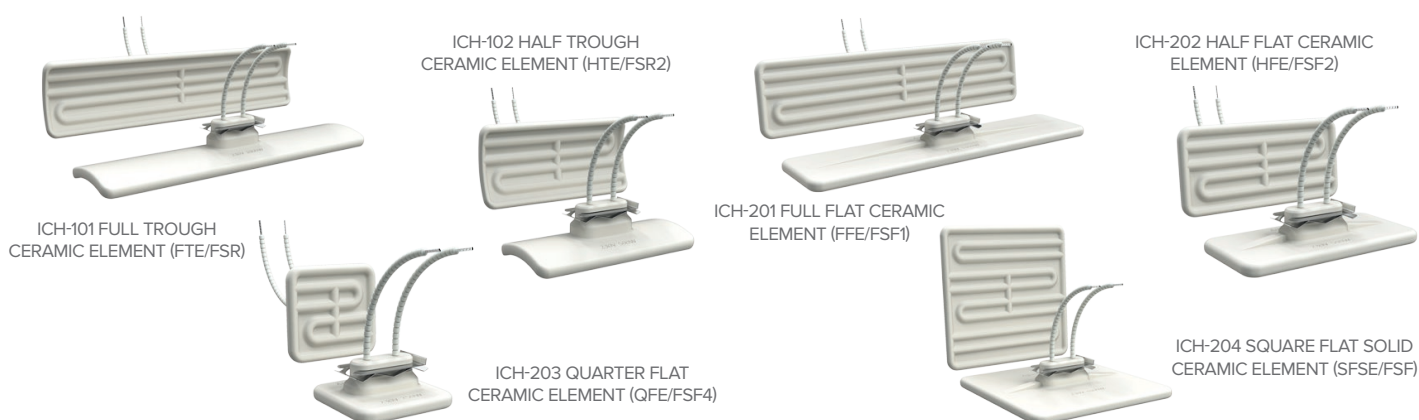
ICH-100/200 SERIES INFRARED CERAMIC ELEMENTS ARE USED IN A WIDE VARIETY OF INDUSTRIAL AND COMMERCIAL IR EQUIPMENT.

Some of the most popular applications include: thermoforming, drying, curing, vulcanization, space warming, and targeted heating. All EUROLINIA infrared systems are equipped with ICH elements.

EUROLINIA infrared ceramic elements are manufactured using refractory materials resistant to aggressive chemicals and extreme temperature changes. Ceramic glaze (zirconium oxide) coating protects the surface of the element from moisture and harmful vapors.

All elements are made of high-alumina chamotte containing 65 to 72% Aluminum oxide. Sintered high-alumina ceramics' high thermal conductivity allows obtaining the most uniform temperature across the radiation surface, providing uniform and high-quality radiant heating.

ICH-100/200 SERIES GENERAL FEATURES



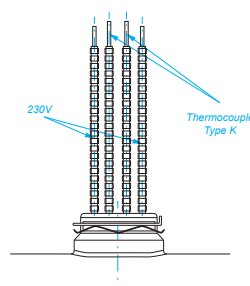
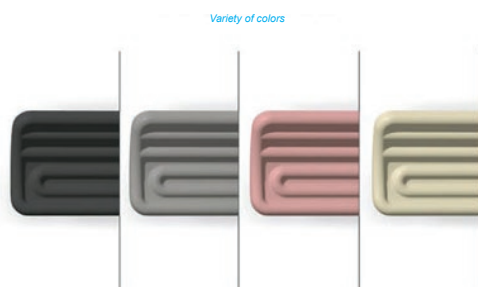
EUROLINIA ICH ceramic elements can be installed inside our original stainless-steel reflectors, which allow precise and targeted heating. It is recommended to place the heating element 100-200 mm (4 - 8 inches) from the heated object. Our heating elements comply with all international standards in terms of size, wattage and have a Global warranty of 12 months.

- ✓ Guaranteed service life ranges from 8000 to 20000 hours of non-stop operation
- ✓ All elements come with 100 mm (4 inches) standard ceramic beaded leads
- ✓ Standard voltages – 120/220/380V

CUSTOM OPTIONS

UPON CUSTOMER'S REQUEST, EUROLINIA CAN PRODUCE CUSTOM CERAMIC INFRARED HEATING ELEMENTS WITH THE FOLLOWING OPTIONS:

- ✓ Custom wattage
- ✓ Longer power leads
- ✓ Custom voltage supply: 110 - 400V.
- ✓ Various colors: gray, black, pink, beige, yellow, etc.
- ✓ Thermocouple: built-in (Type K) accurate temperature control sensor



CERAMIC INFRARED HEATING ELEMENTS

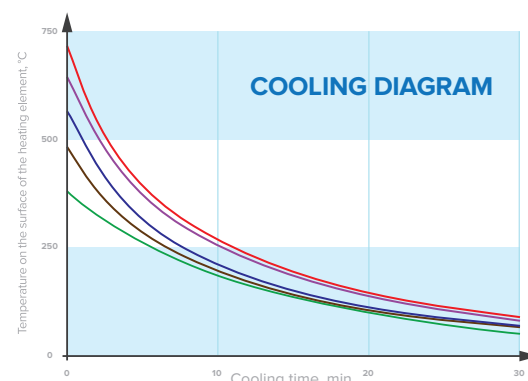
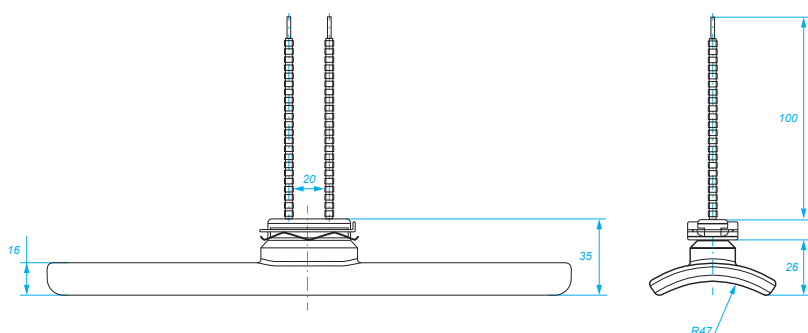
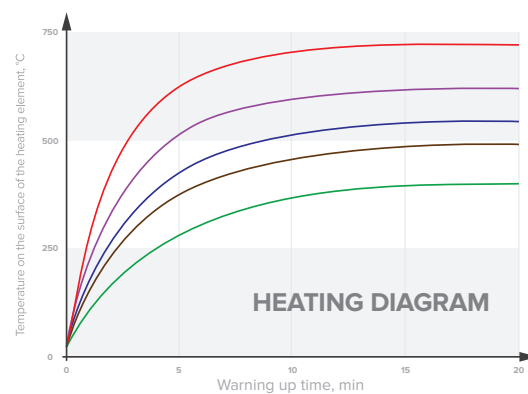
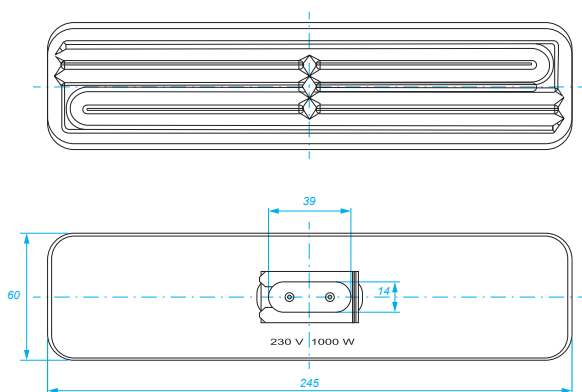
ICH-101 FULL TROUGH
CERAMIC INFRARED HEATING ELEMENT



ICH-101 Ceramic Full Trough Infrared Heating Elements (FTE/FSR) feature concaved shape, which allows a wider heat distribution and increases the effective heating area. To ensure optimal and efficient performance we advise using ICH-101 elements with a stainless-steel reflector.



POWER, W	250	400	500	650	1000
Power density, W/cm ²	1,5	2,3	2,9	3,8	5,9
Maximum surface temperature, °C / °F	400/752	490/914	540/1004	600/1112	720/1328
Specific surface radiation energy, W/cm ²	1,12	1,85	2,38	3,16	5,29
Useful wavelength range, µm	2,2-10,5	2,05-9,4	1,8-8,75	1,7-8,25	1,5-7,10
Maximum spectral radiation intensity wavelength, µm	4,4	3,8	3,4	3,1	2,9
Time needed to reach the operating temperature, min	20	18	16	14	12
Maximum temperature, °C / °F	750/1382				
Dimensions (length x width), mm / inch	245x60/9.64x2.36				
Estimated surface area of radiation, cm ² / in ²	170,9/2.65				
Weight, g / oz	250/8.82				

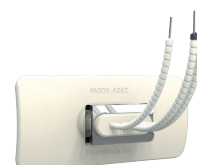
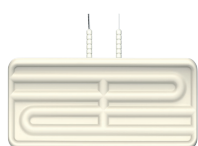


CERAMIC INFRARED HEATING ELEMENTS

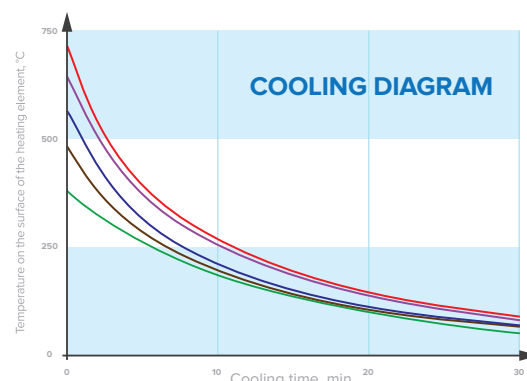
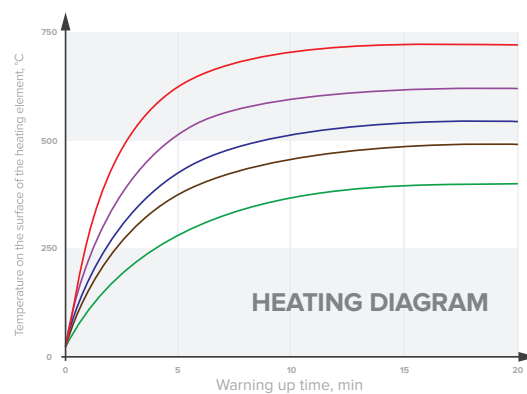
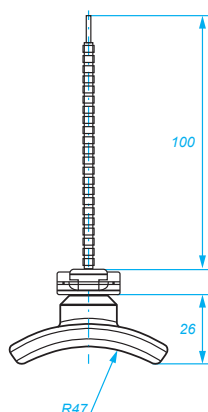
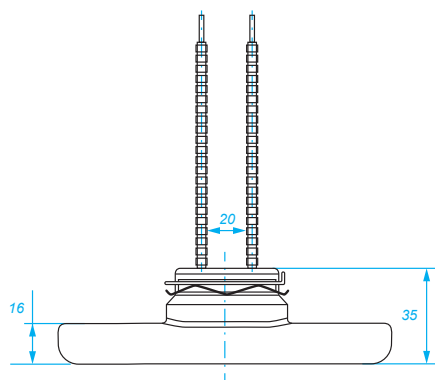
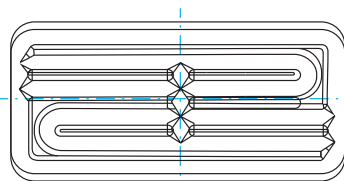
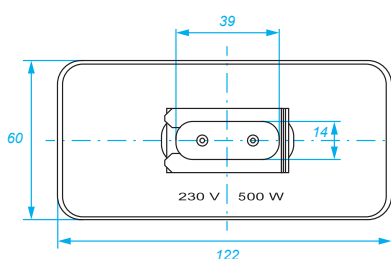
ICH-102 HALF TROUGH
CERAMIC INFRARED HEATING ELEMENT



ICH-102 Ceramic Half Trough Infrared Heating Elements (HTE/FSR2) have a slightly curved shape, which allows a wider heat distribution and increases the effective heating area. For better performance and efficiency, we recommend using ICH-102 elements with our original stainless-steel reflectors.



POWER, W	125	200	250	325	500
Power density, W/cm ²	1,5	2,4	2,9	3,8	5,9
Maximum surface temperature, °C / °F	390/734	480/896	530/986	600/1112	710/1310
Specific surface radiation energy, W/cm ²	1,05	1,75	2,26	3,16	5,08
Useful wavelength range, µm	2,25-10,6	2,0-9,35	1,85-8,8	1,7-8,10	1,5-7,15
Maximum spectral radiation intensity wavelength, µm	4,4	3,8	3,6	3,3	2,9
Time needed to reach the operating temperature, min	20	18	16	14	12
Maximum temperature, °C / °F	750/1382				
Dimensions (length x width), mm / inch	122x60/4.8x2.36				
Estimated surface area of radiation, cm ² / in ²	851/1.32				
Weight, g / oz	125/4.41				

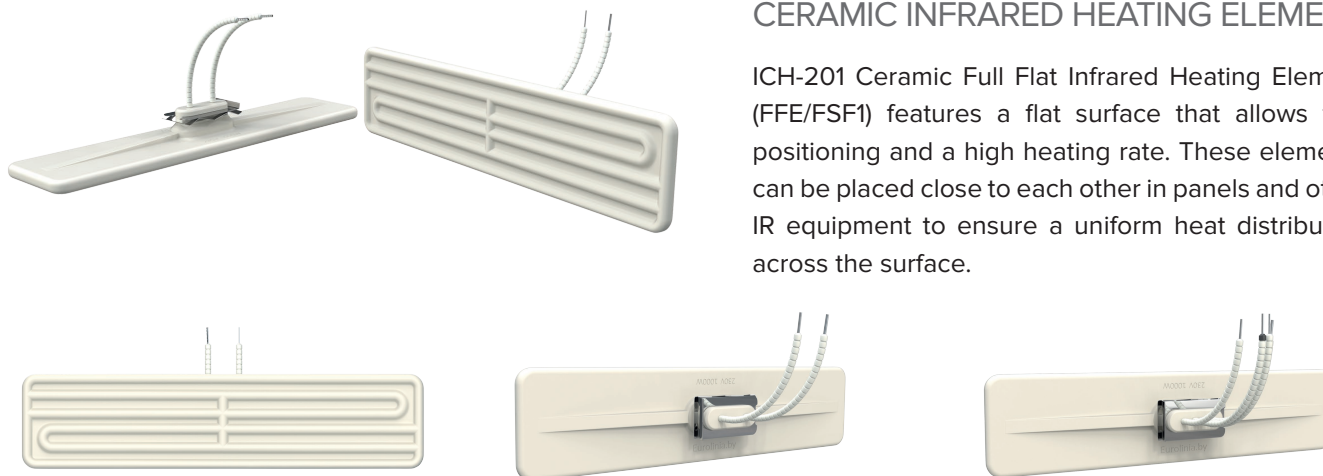


CERAMIC INFRARED HEATING ELEMENTS

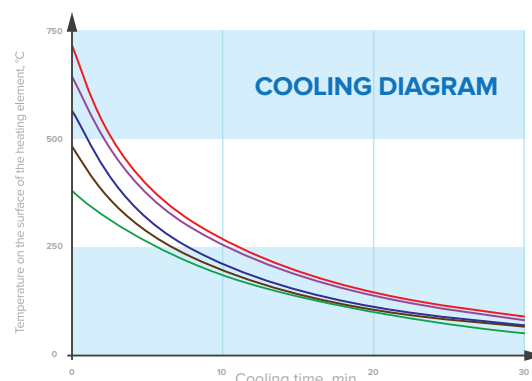
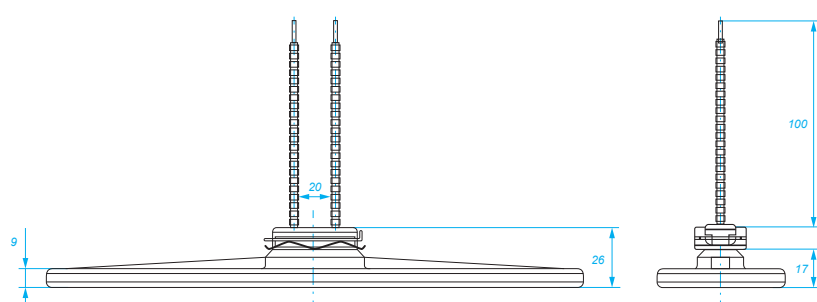
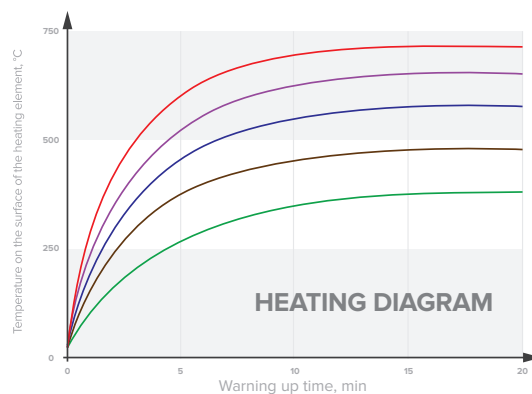
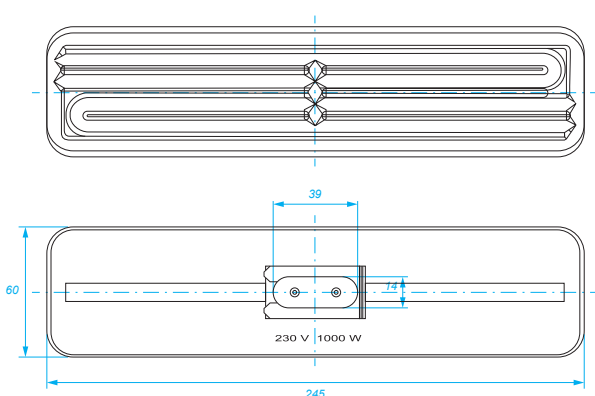
ICH-201 FULL FLAT

CERAMIC INFRARED HEATING ELEMENT

ICH-201 Ceramic Full Flat Infrared Heating Element (FFE/FSF1) features a flat surface that allows tight positioning and a high heating rate. These elements can be placed close to each other in panels and other IR equipment to ensure a uniform heat distribution across the surface.



POWER, W	250	400	600	800	1000
Power density, W/cm ²	1,4	2,2	3,3	4,4	5,6
Maximum surface temperature, °C / °F	380/716	480/896	570/1058	650/1202	710/1310
Specific surface radiation energy, W/cm ²	1,00	1,75	2,75	3,95	5,08
Useful wavelength range, µm	2,25-10,8	1,95-9,3	1,75-8,4	1,65-7,7	1,5-7,15
Maximum spectral radiation intensity wavelength, µm	4,4	3,8	3,4	3,1	2,9
Time needed to reach the operating temperature, min	20	18	16	14	12
Maximum temperature, °C / °F	750/1382				
Dimensions (length x width), mm / inch	245x60/9.64x2.36				
Estimated surface area of radiation, cm ² / in ²	179,8/2.78				
Weight, g / oz	230/8.11				

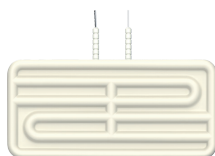
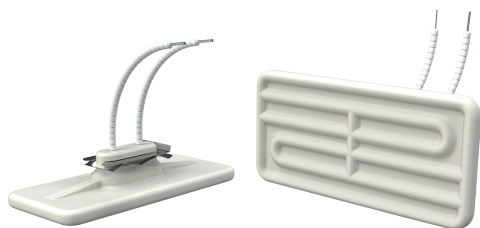


CERAMIC INFRARED HEATING ELEMENTS

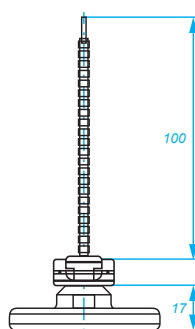
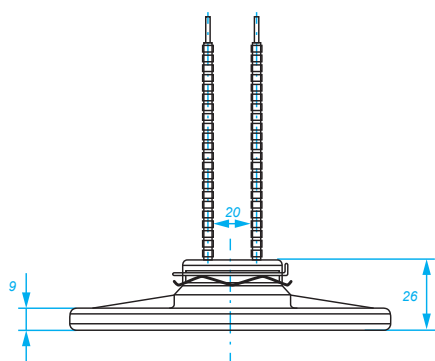
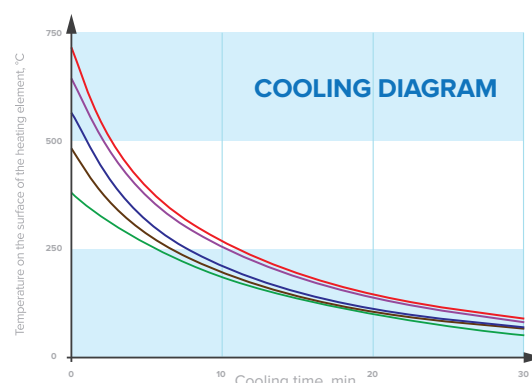
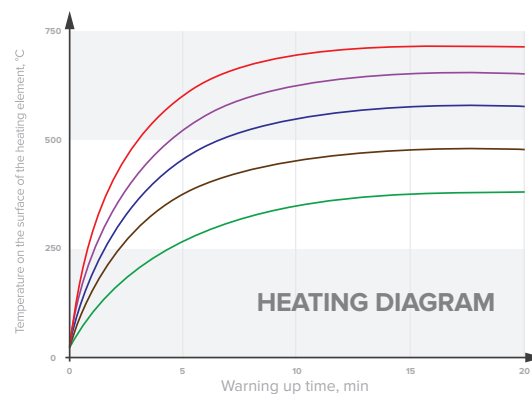
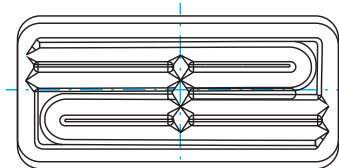
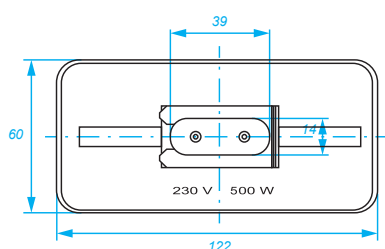
ICH-202 HALF FLAT

CERAMIC INFRARED HEATING ELEMENT

ICH-202 Ceramic Half Flat Infrared Heating Element (HFE/FSF2) features a flat surface that allows tide positioning and a high heating rate. These elements can be placed close to each other in panels and other IR equipment to ensure uniform heat distribution across the surface.



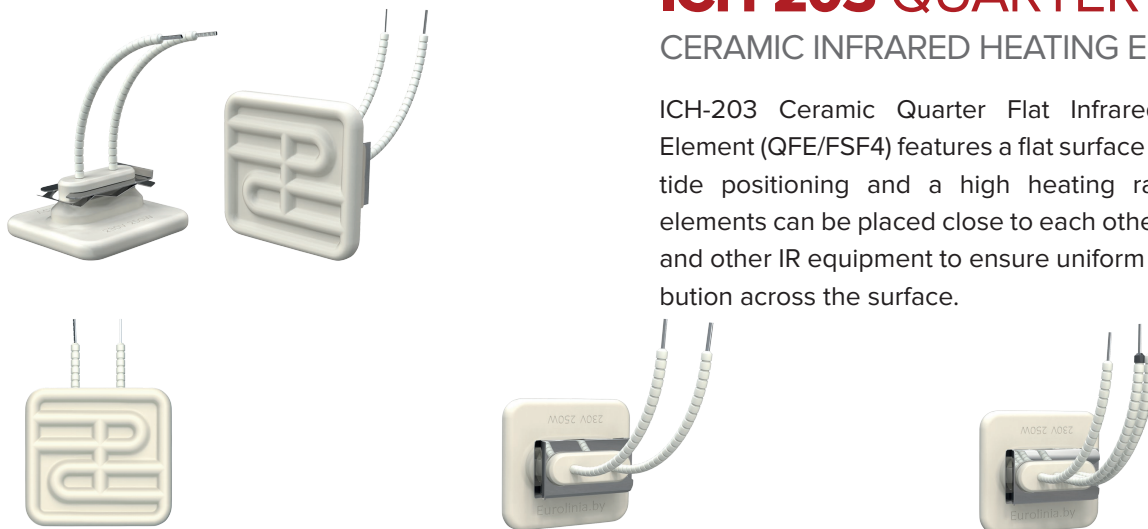
POWER, W	125	200	300	400	500
Power density, W/cm ²	1,4	2,2	3,3	4,4	5,5
Maximum surface temperature, °C / °F	370/698	470/878	560/1040	640/1184	700/1292
Specific surface radiation energy, W/cm ²	0,93	1,66	2,69	3,78	4,88
Useful wavelength range, μm	2,25-10,9	2,0-9,45	1,75-8,4	1,6-7,75	1,55-7,25
Maximum spectral radiation intensity wavelength, μm	4,5	3,9	3,5	3,2	3,0
Time needed to reach the operating temperature, min	20	18	16	14	12
Maximum temperature, °C / °F	750/1382				
Dimensions (length x width), mm / inch	122x60/4.80x2.36				
Estimated surface area of radiation, cm ² / in ²	90,1/1.39				
Weight, g / oz	125/4.41				



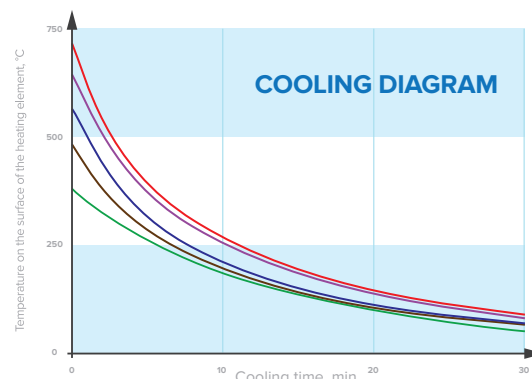
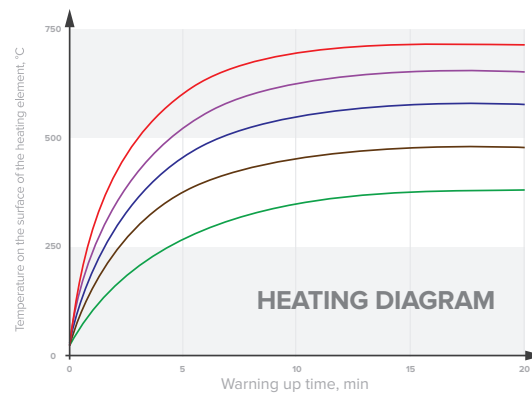
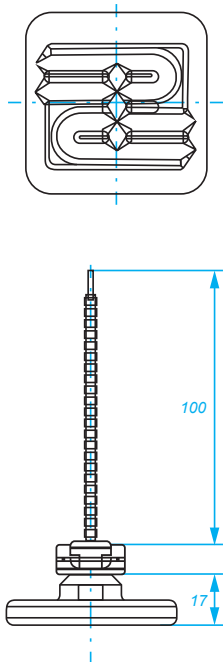
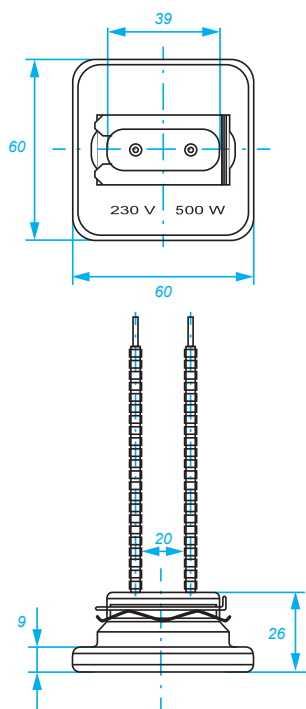
CERAMIC INFRARED HEATING ELEMENTS

ICH-203 QUARTER FLAT CERAMIC INFRARED HEATING ELEMENT

ICH-203 Ceramic Quarter Flat Infrared Heating Element (QFE/FSF4) features a flat surface that allows tide positioning and a high heating rate. These elements can be placed close to each other in panels and other IR equipment to ensure uniform heat distribution across the surface.



POWER, W	60	100	150	200	250
Power density, W/cm ²	1,3	2,2	3,4	4,5	5,6
Maximum surface temperature, °C / °F	370/698	470/878	560/1040	640/1184	700/1292
Specific surface radiation energy, W/cm ²	0,87	1,57	2,62	3,78	4,88
Useful wavelength range, μm	2,35-11,1	2,0-9,65	1,75-8,4	1,65-7,76	1,55-7,25
Maximum spectral radiation intensity wavelength, μm	4,6	4,0	3,5	3,2	3,0
Time needed to reach the operating temperature, min	20	18	16	14	12
Maximum temperature, °C / °F	750/1382				
Dimensions (length x width), mm / inch	60x60/2.36x2.36				
Estimated surface area of radiation, cm ² / in ²	44,7/0.69				
Weight, g / oz	75/2.64				



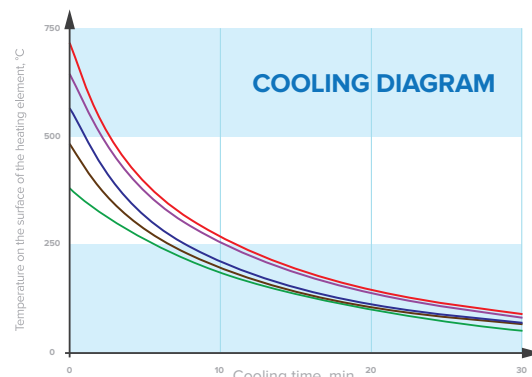
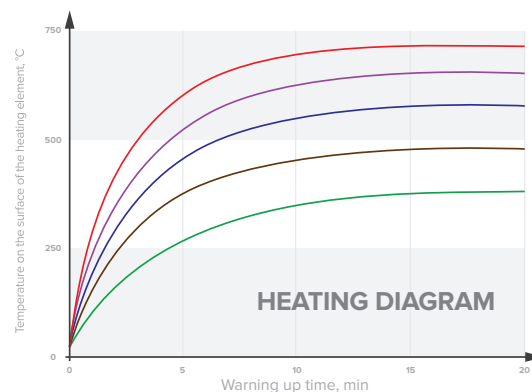
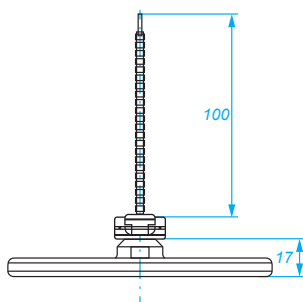
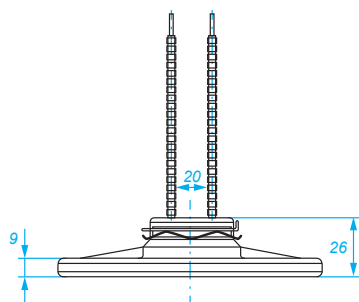
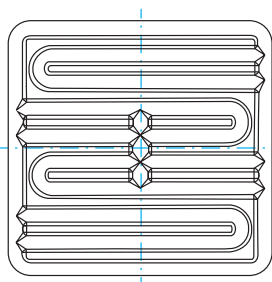
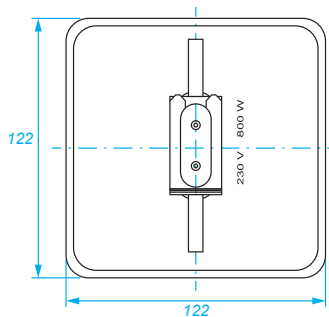
CERAMIC INFRARED HEATING ELEMENTS

ICH-204 SQUARE FLAT CERAMIC INFRARED HEATING ELEMENT

ICH-204 Ceramic Square Flat Infrared Heating Element (SFSE/FSF) features a flat surface that allows tight positioning and a high heating rate. These elements can be placed close to each other in panels and other IR equipment to ensure uniform heat distribution across the surface.



POWER, W	250	400	600	800	1000
Power density, W/cm ²	1,4	2,2	3,4	4,5	5,6
Maximum surface temperature, °C / °F	380/716	480/896	570/1058	650/1202	710/1310
Specific surface radiation energy, W/cm ²	1,00	1,75	2,75	3,95	5,08
Useful wavelength range, µm	2,25-10,8	1,95-9,3	1,75-8,4	1,65-7,7	1,5-7,15
Maximum spectral radiation intensity wavelength, µm	4,4	3,8	3,4	3,1	2,9
Time needed to reach the operating temperature, min	20	18	16	14	12
Maximum temperature, °C / °F	750/1382				
Dimensions (length x width), mm / inch	122x122/4.8x4.8				
Estimated surface area of radiation, cm ² / in ²	178,6/2.77				
Weight, g / oz	230/8.11				



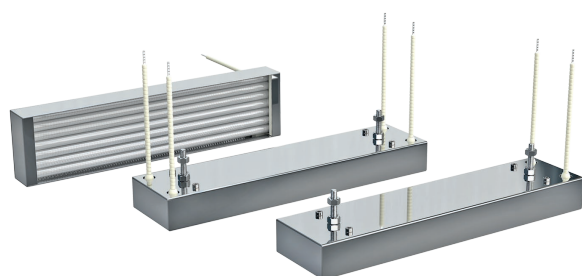
QUARTZ INFRARED HEATING ELEMENTS

EUROLINIA ICH-400 INFRARED QUARTZ ELEMENTS FEATURE FAST HEAT-UP AND COOLING, MAKING THEM A PERFECT CHOICE FOR TECHNOLOGICAL PROCESSES THAT REQUIRE SHORTER HEATING AND COOLING CYCLES WITH PRECISE TEMPERATURE CONTROL.

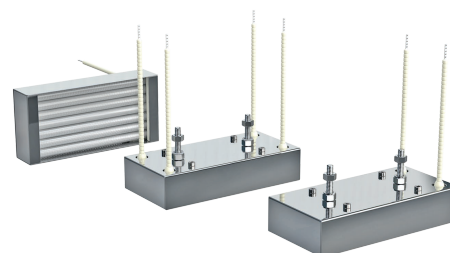
Some common applications include: local targeted heating, drying painted objects, thermoforming, packaging, welding station, preheating and etc.

EUROLINIA quartz heating elements are manufactured in 4 international standard sizes and wattage range of 50-1000W. The housing is made of high-quality aluminized steel, which maintains a solid structure at extremely high temperatures.

ICH-400 SERIES GENERAL FEATURES



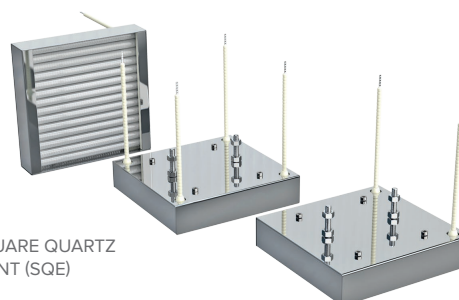
ICH-401 FULL QUARTZ ELEMENT (FQE)



ICH-402 HALF QUARTZ ELEMENT (HQE)



ICH-403 QUARTER QUARTZ ELEMENT (QQE)



ICH-404 SQUARE QUARTZ ELEMENT (SQE)

EUROLINIA quartz elements are equipped with a thermal protection screen of polished stainless steel, thermal insulation, and radiating tubes made of quartz glass (emitters). ICH-400 heating elements generate medium-far infrared radiation in the wavelength range of 1.4 – 10.3 microns.

- ✓ Max power density – 6.0 W/cm²
- ✓ Max temperature – 750°C (1380°F)
- ✓ Standard voltage – 120/220/380V
- ✓ All elements come with 100 mm (4 inches) standard ceramic beaded leads
- ✓ Guaranteed service life ranges from 5,000 to 10,000 hours of non-stop operation

CUSTOM OPTIONS

UPON CUSTOMER'S REQUEST, EUROLINIA CAN PRODUCE CUSTOM QUARTZ INFRARED HEATING ELEMENTS WITH THE FOLLOWING OPTIONS:

- ✓ Custom wattage
- ✓ Longer power leads
- ✓ Custom voltage supply: 110 - 400V
- ✓ Built-in (Type K) accurate temperature control sensor

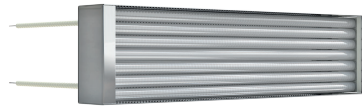
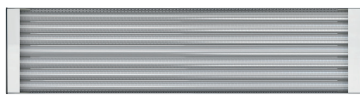
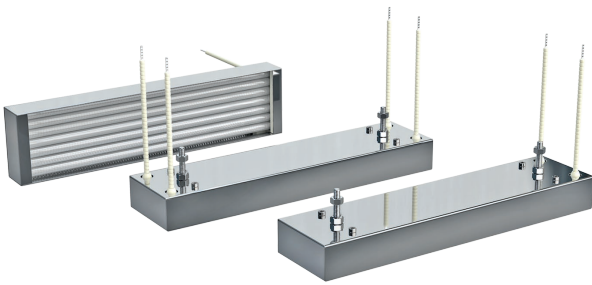
QUARTZ INFRARED HEATING ELEMENTS

ICH-401 FULL

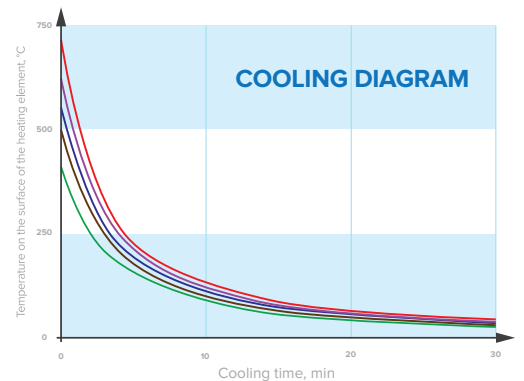
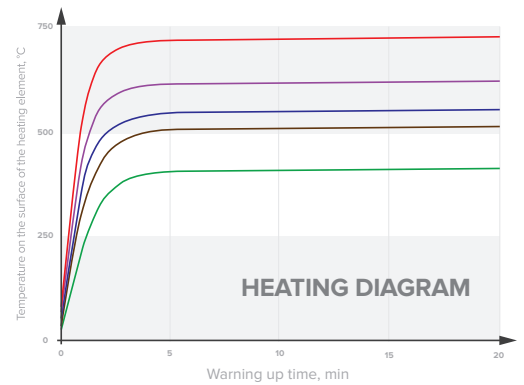
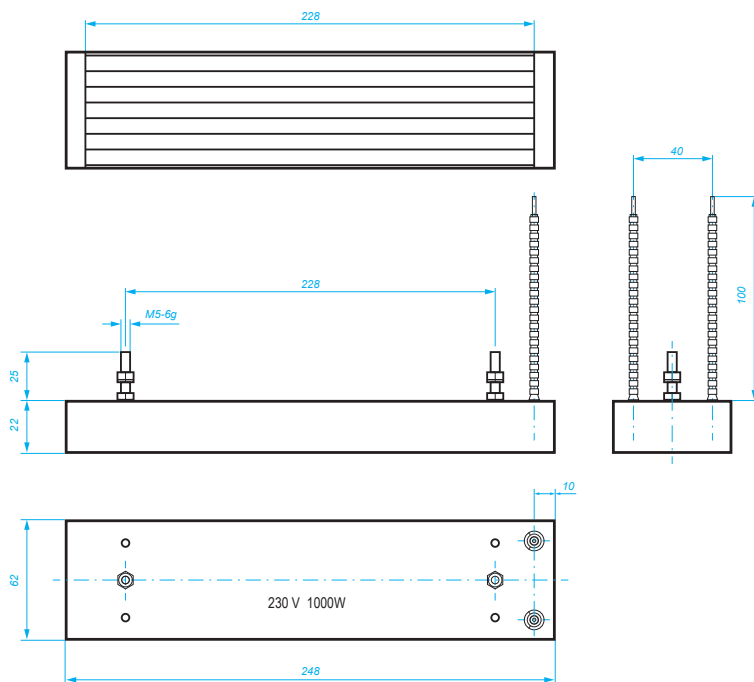
QUARTZ INFRARED HEATING ELEMENT

ICH-401 Full Quartz Infrared Heating Element (FQE) is a cassette block of 7 full-length (228mm/~9inch) energy-efficient IR quartz emitters secured in a heat resistant aluminized steel housing.

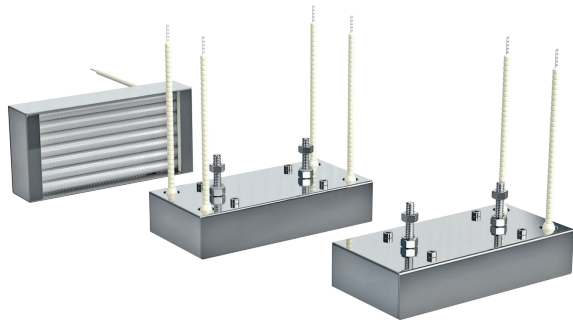
Fast heating/cooling ability and durable construction translate into efficient and long-lasting performance.



POWER, W	250	400	600	800	1000
Power density, W/cm ²	1,5	2,3	2,9	3,8	5,8
Maximum surface temperature, °C / °F	410/770	510/950	560/1040	620/1148	730/1346
Specific surface radiation energy, W/cm ²	1,05	1,81	2,32	3,07	4,88
Useful wavelength range, µm	2,15-10,3	1,9-8,95	1,8-8,35	1,65-8,0	1,45-7,2
Maximum spectral radiation intensity wavelength, µm	4,2	3,7	3,5	3,2	2,9
Time needed to reach the operating temperature, min	5	5	5	4	3
Maximum temperature, °C / °F	780/1436				
Dimensions (length x width), mm / inch	248x60, 228x59 / 9.76x2.36, 8.97x2.32				
Estimated surface area of radiation, cm ² / in ²	171,9/2.66				
Weight, g / oz	330/11.64				



QUARTZ INFRARED HEATING ELEMENTS

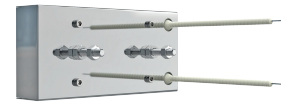
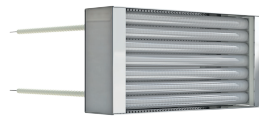
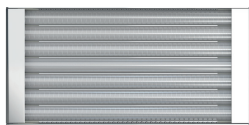


ICH-402 HALF

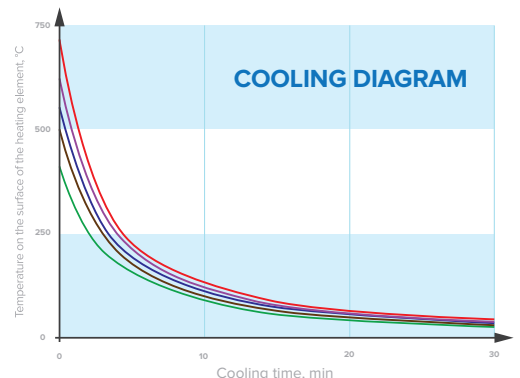
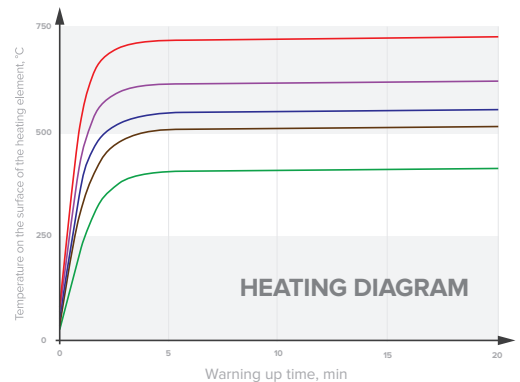
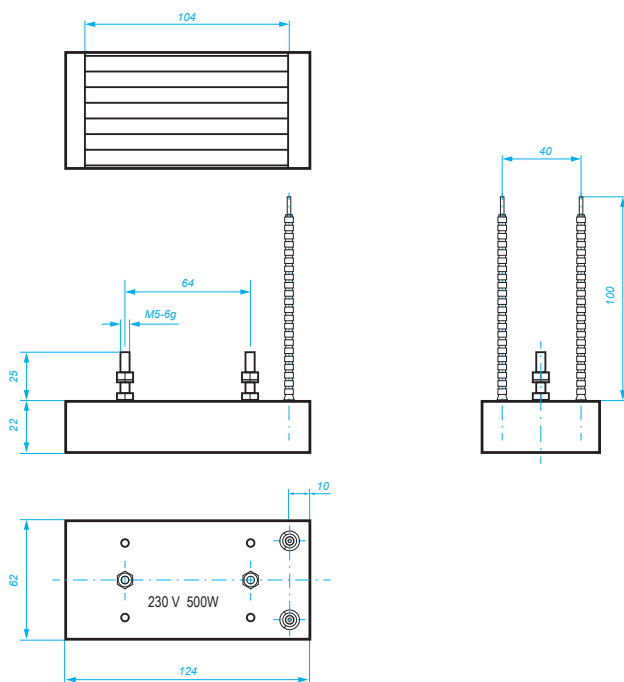
QUARTZ INFRARED HEATING ELEMENT

ICH-402 Half Quartz Infrared Heating Element (HQE) is a cassette block of 7 half-length (114mm/~4.5inch) energy-efficient IR quartz emitters secured in a heat resistant aluminized steel housing.

Fast heating/cooling ability and durable construction translate into efficient and long-lasting performance.



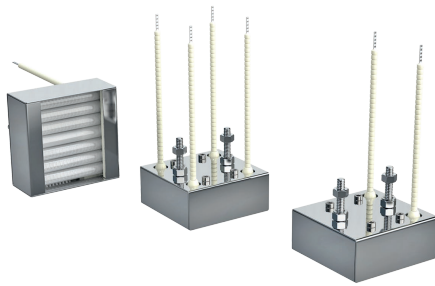
POWER, W	125	200	250	325	500
Power density, W/cm ²	1,6	2,6	3,2	4,1	6,4
Maximum surface temperature, °C / °F	410/770	520/968	570/1058	630/1168	740/1364
Specific surface radiation energy, W/cm ²	1,05	1,91	2,43	3,21	5,06
Useful wavelength range, µm	2,15-10,3	1,85-8,9	1,75-8,4	1,65-7,8	1,45-7,0
Maximum spectral radiation intensity wavelength, µm	4,2	3,7	3,4	3,2	2,9
Time needed to reach the operating temperature, min	5	5	5	4	3
Maximum temperature, °C / °F	780/1436				
Dimensions (length x width), mm / inch	124x60, 104x59 / 4.88x2.36, 4.09x2.32				
Estimated surface area of radiation, cm ² / in ²	78,4/1.21				
Weight, g / oz	210/7.40				



QUARTZ INFRARED HEATING ELEMENTS

ICH-403 QUARTER

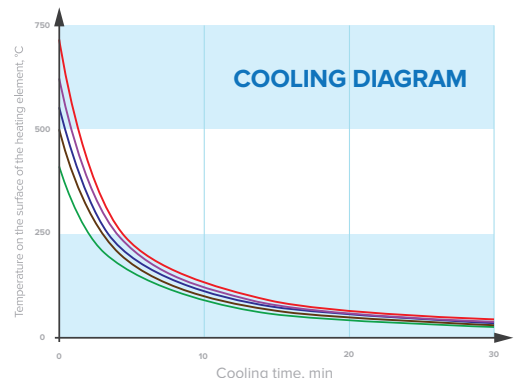
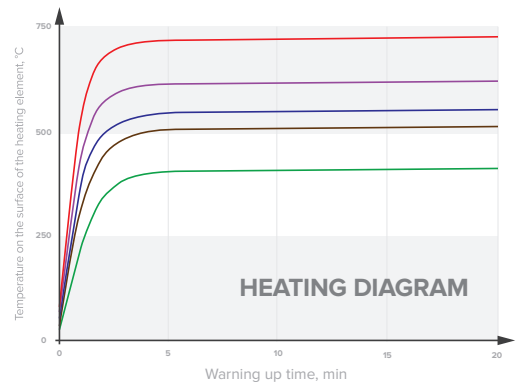
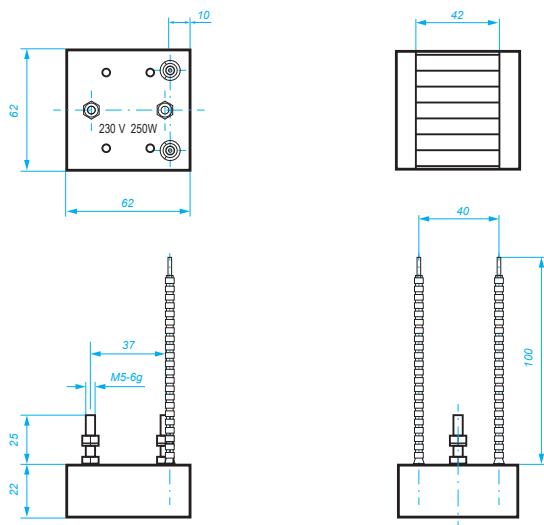
QUARTZ INFRARED HEATING ELEMENT



ICH-403 Quarter Quartz Infrared Heating Element (QIE) is a cassette block of 7 quarter-length (57mm/~2.25inch) energy-efficient IR quartz emitters secured in a heat resistant aluminized steel housing. Fast heating/cooling ability and durable construction translate into efficient and long-lasting performance.



POWER, W	60	100	150	200	250
Power density, W/cm ²	2,4	4,0	6,1	8,1	10,1
Maximum surface temperature, °C / °F	390/734	520/968	630/1166	700/1292	740/1364
Specific surface radiation energy, W/cm ²	1,25	2,32	3,50	4,50	5,28
Useful wavelength range, µm	2,1-9,9	1,8-8,45	1,6-7,65	1,5-7,15	1,45-6,9
Maximum spectral radiation intensity wavelength, µm	4,1	3,5	3,1	3,0	2,8
Time needed to reach the operating temperature, min	5	5	5	4	3
Maximum temperature, °C / °F	780/1436				
Dimensions (length x width), mm / inch	62x60, 42x59 / 2.44x2.36, 1.65x2.32				
Estimated surface area of radiation, cm ² / in ²	31,7/0.49				
Weight, g / oz	140/4.93				

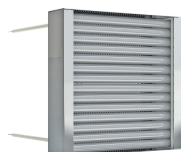
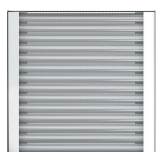
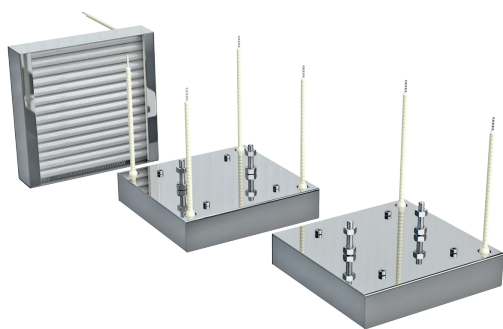


QUARTZ INFRARED HEATING ELEMENTS

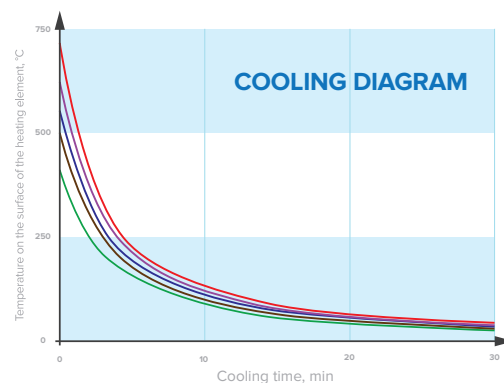
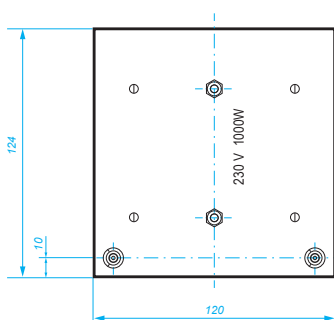
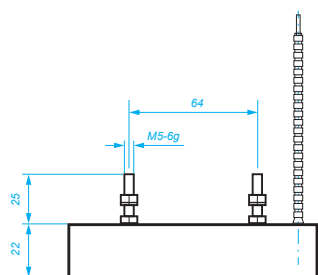
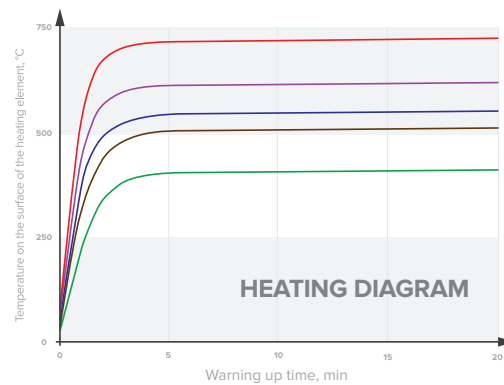
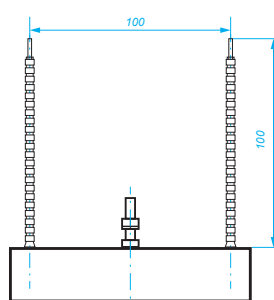
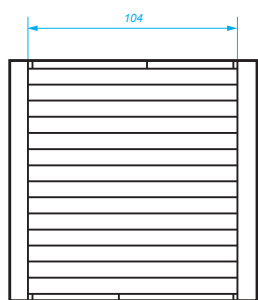
ICH-404 SQUARE

QUARTZ INFRARED HEATING ELEMENT

ICH-404 Square Quartz Infrared Heating Element (SQE) is a cassette block of 14 half-length (114mm/~4.5inch) energy-efficient IR quartz emitters secured in a heat resistant aluminized steel housing. Fast heating/cooling ability and durable construction translate into efficient and long-lasting performance.



POWER, W	250	400	500	650	1000
Power density, W/cm ²	1,4	2,4	2,7	3,6	5,5
Maximum surface temperature, °C / °F	400/752	500/932	540/1004	610/610	720/1328
Specific surface radiation energy, W/cm ²	1,00	1,68	2,11	2,93	4,68
Useful wavelength range, μm	2,15-10,5	1,95-9,2	1,7-7,95	1,8-8,65	1,5-7,05
Maximum spectral radiation intensity wavelength, μm	4,3	3,8	3,6	3,3	2,9
Time needed to reach the operating temperature, min	3	3	3	2	1
Maximum temperature, °C / °F	780/1436				
Dimensions (length x width), mm / inch	124x120, 119x104 / 4.88x4.72, 4.68x4.09				
Estimated surface area of radiation, cm ² / in ²	183,0/2.83				
Weight, g / oz	380/13.4				



INFRALINE INDUSTRIAL INFRARED HEATERS

INFRALINE SERIES INFRARED HEATERS FOR INDUSTRIAL USE FEATURE OUTSTANDING PERFORMANCE, EASY INSTALLATION, AND MAINTENANCE. YOU CAN INSTALL THEM ALMOST ON ANY SURFACE AND PRECISELY DIRECT THEM TO THE DESIRED HEATING AREA.

Depending on the heating capacity requirements, InfraLine heaters may consist of up to 3 ceramic infrared heating elements (250 - 1,000W each) installed inside a metal housing. InfraLine can be used as a standalone heating system or grouped in modules to form a heating surface of any configuration.

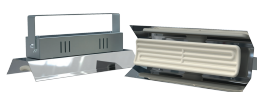
InfraLine heaters are equipped with polished stainless-steel reflectors that reduce sideways heat dispersion and produce an even conical spread of heat at approximately 70° with maximum temperatures up to 750°C.

GENERAL FEATURES

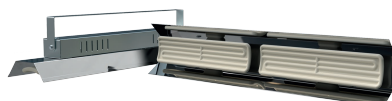
INFRALINE SERIES CONSISTS OF 2 PRODUCTS:

- ✓ **InfraLine-100 series heaters have up to 3 infrared ceramic heating elements equipped with a reflector made of polished stainless steel.**
- ✓ **InfraLine-200 series heaters have up to 3 infrared ceramic heating elements installed inside a thermally insulated case, providing a higher intensity of infrared heating.**

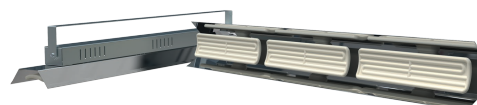
InfraLine systems can be equipped with an automatic control system (ACS) that allows adjusting the temperature of the heating elements using a specially developed mathematical algorithm called - "To the target from the first step". The capabilities of this algorithm allow to quickly minimize temperature deviations from target settings.



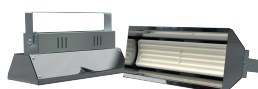
INFRALINE-111
INFRARED HEATER



INFRALINE-112
INFRARED HEATER



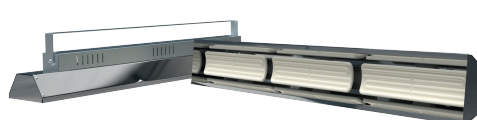
INFRALINE-113
INFRARED HEATER



INFRALINE-211
INFRARED HEATER



INFRALINE-212
INFRARED HEATER



INFRALINE-213
INFRARED HEATER

Connection wire – 1 meter

Standard voltage – 220/380V

Available with thermocouple (Type K)

Minimum service life expectancy: 5 years

Warranty for ceramic heating elements: 5,000 - 10,000 hours

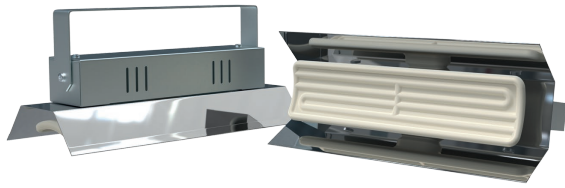
AREAS OF APPLICATION

Setting up and maintaining InfraLine heaters is very simple and straightforward. Recommended distance from the heated object/material is 100 to 250mm. Common areas of application include:

- ✓ Drying painted or coated objects
- ✓ Targeted/local heating and pre-heating
- ✓ Heat processing of bulk products, plastics, fabrics, wood and etc.
- ✓ Local heating of workplaces and production areas, both indoors and outdoors

INFRALINE INDUSTRIAL INFRARED HEATERS

INFRALINE-111
CERAMIC INFRARED HEATER



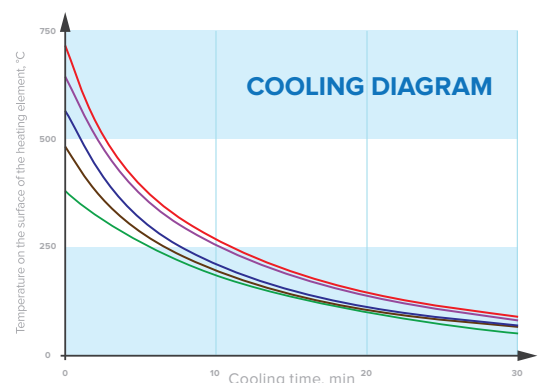
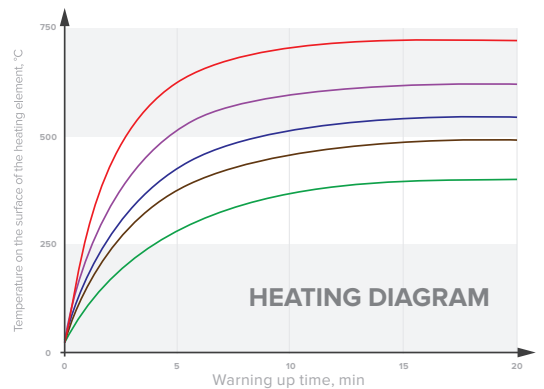
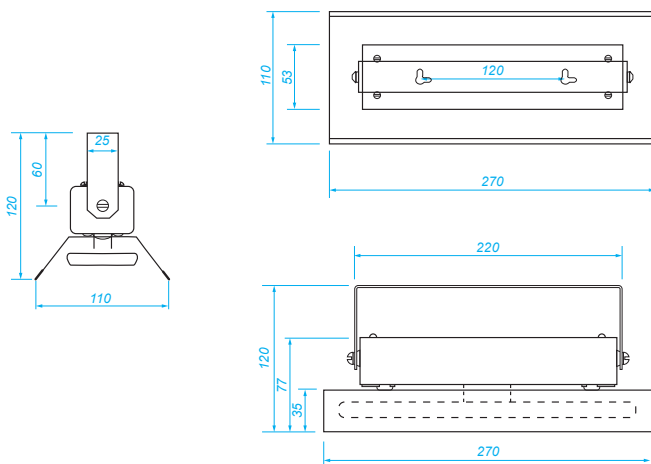
InfraLine-111 is a single-section heater with a polished stainless-steel reflector designed for use as a source of directed long-wave radiant heat during the heating and drying of various materials. Affordable, durable, and flexible solutions for many technological processes that require precisely targeted heat.



POWER, W	250	400	500	650	1000
Heater size, element, heating surface size and emissivity	270x110x120 mm, 245x60 mm, $F_{iz1} = 170,9 \text{ cm}^2$, $\epsilon_1 = 0.96$				
Beam angle	$\alpha_1 = 70^\circ$				
Radiating surface maximum temperature, $\beta_1 = 90^\circ T_{iz1} \text{ } ^\circ\text{C}^{(1)}$	390	480	530	590	700
Time needed to reach the operating temperature ⁽¹⁾ , min	20	18	16	14	12
Protection degree	20				
Curb weight, kg	1.2				

¹ - reached at ambient temperature from +18 to +25 °C

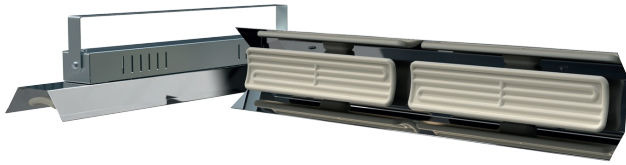
² - blue color highlights the characteristics of the base model



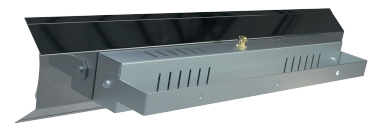
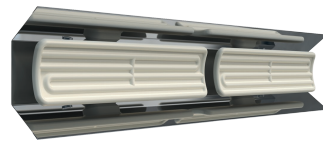
INFRALINE INDUSTRIAL INFRARED HEATERS

INFRALINE-112

CERAMIC INFRARED HEATER



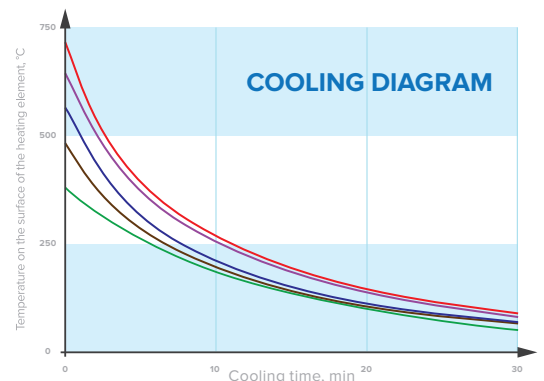
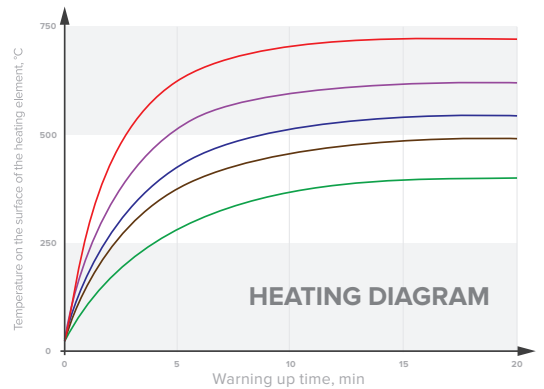
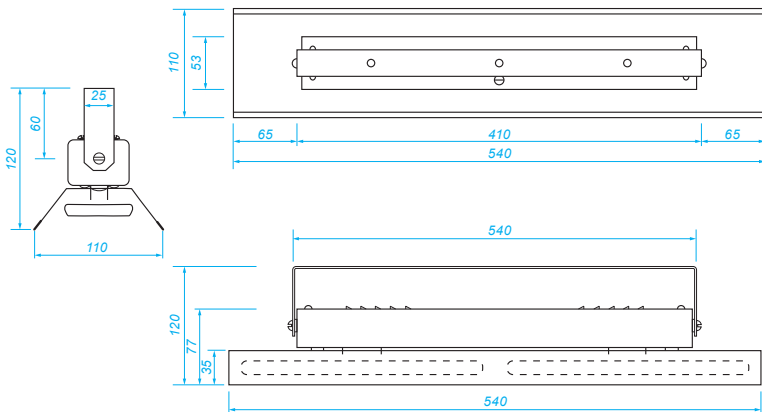
InfraLine-112 is a double-section heater with a polished stainless-steel reflector designed for use as a source of directed long-wave radiant heat during the heating and drying of various materials. Affordable, durable, and flexible solutions for many technological processes that require precisely targeted heat.



POWER, W	500	800	1000	1300	2000
Heater size, element, heating surface size and emissivity	540x110x120 mm, 245x60 mm, $F_{iz1} = 170,9 \text{ cm}^2$, $\epsilon_1 = 0.96$				
Beam angle	$\alpha_1 = 70^\circ$				
Radiating surface maximum temperature, $\beta_1 = 90^\circ T_{iz1} \text{ } ^\circ\text{C}^{(1)}$	390	480	530	590	700
Time needed to reach the operating temperature ⁽¹⁾ , min	20	18	16	14	12
Protection degree	20				
Curb weight, kg	1.8				

1 - reached at ambient temperature from +18 to +25 °C

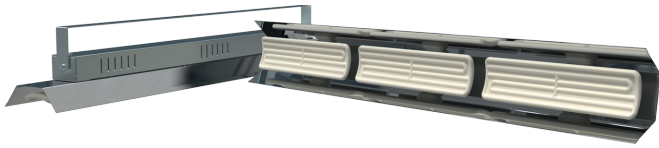
2 - blue color highlights the characteristics of the base model



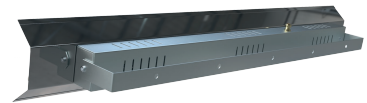
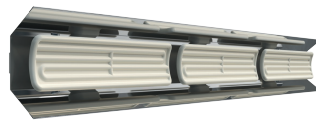
INFRALINE INDUSTRIAL INFRARED HEATERS

INFRALINE-113

CERAMIC INFRARED HEATER



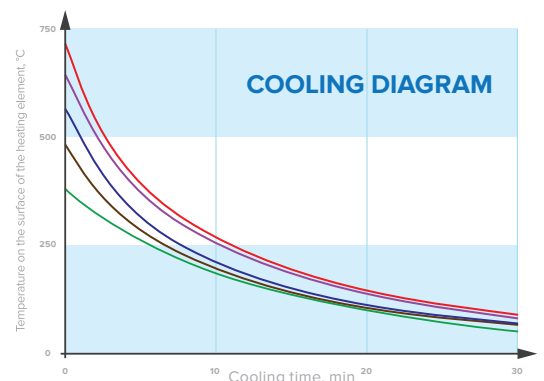
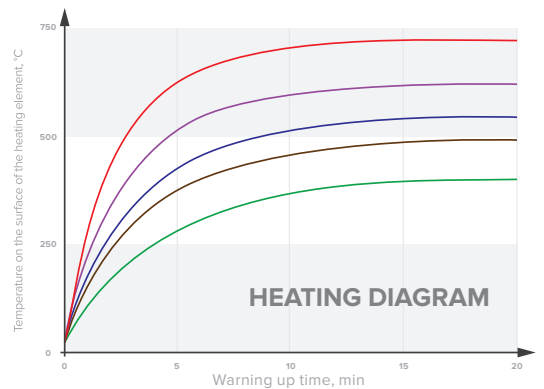
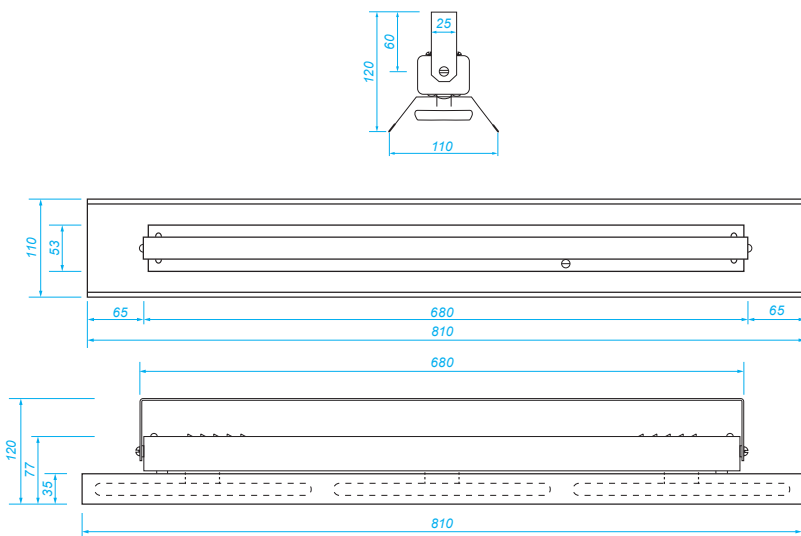
InfraLine-113 is a triple-section heater with a polished stainless-steel reflector designed for use as a source of directed long-wave radiant heat during the heating and drying of various materials. Affordable, durable, and flexible solutions for many technological processes that require precisely targeted heat.



POWER, W	750	1200	1500	1950	2400
Heater size, element, heating surface size and emissivity	810x110x120 mm, 245x60 mm, $F_{iz1} = 170,9 \text{ cm}^2$, $\epsilon_1 = 0.96$				
Beam angle	$\alpha_1 = 70^\circ$				
Radiating surface maximum temperature, $\beta_1 = 90^\circ T_{iz1} \text{ } ^\circ\text{C}^{(1)}$	390	480	530	590	660
Time needed to reach the operating temperature ⁽¹⁾ , min	20	18	16	14	13
Protection degree	20				
Curb weight, kg	2.8				

1 - reached at ambient temperature from +18 to +25 °C

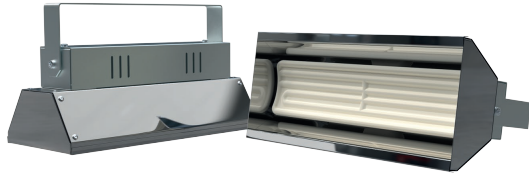
2 - blue color highlights the characteristics of the base model



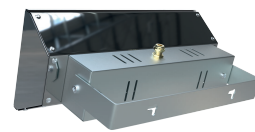
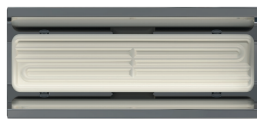
INFRALINE INDUSTRIAL INFRARED HEATERS

INFRALINE-211

CERAMIC INFRARED HEATER



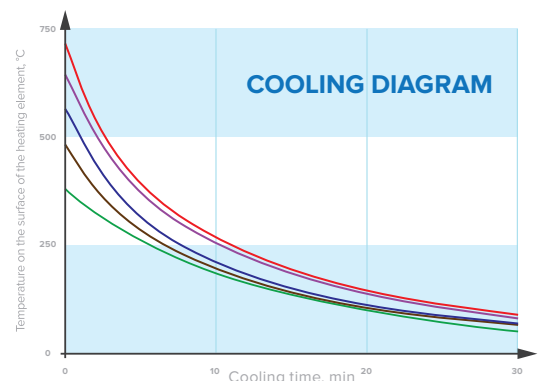
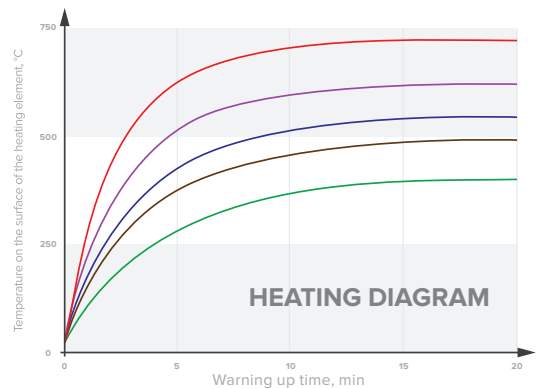
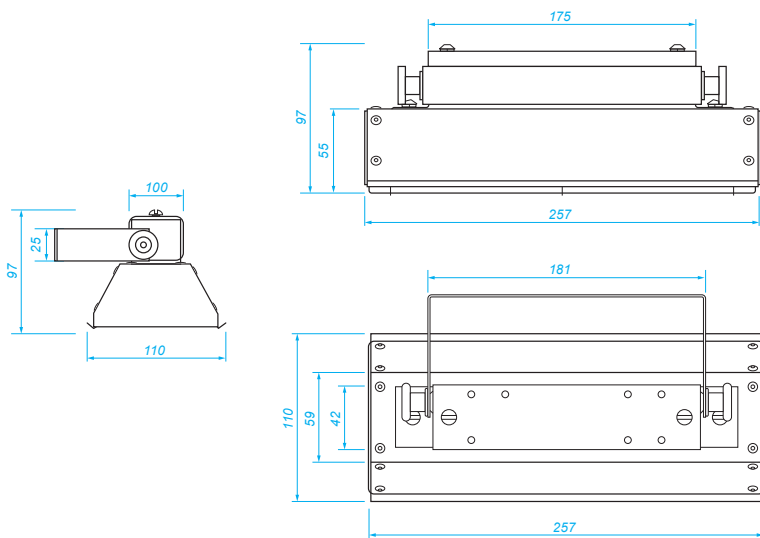
InfraLine-211 is a single-section heater with a thermally insulated stainless-steel reflector. It is designed for use as a source of directed long-wave radiant heat during the heating and drying of various materials. Affordable, durable, and flexible solutions for many technological processes that require precisely targeted heat.



POWER, W	250	400	500	650	1000
Heater size, element, heating surface size and emissivity	257x110x97 mm, 245x60 mm, $F_{iz1} = 170,9 \text{ cm}^2$, $\epsilon_1 = 0.96$				
Beam angle	$\alpha_1 = 70^\circ$				
Radiating surface maximum temperature, $\beta_1 = 90^\circ T_{iz1} \text{ } ^\circ\text{C}^{(1)}$	400	490	540	600	720
Time needed to reach the operating temperature ⁽¹⁾ , min	20	18	16	14	12
Protection degree	20				
Curb weight, kg	1.3				

1 - reached at ambient temperature from +18 to +25 °C

2 - blue color highlights the characteristics of the base model



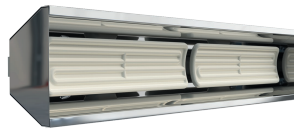
INFRALINE INDUSTRIAL INFRARED HEATERS

INFRALINE-212

CERAMIC INFRARED HEATER



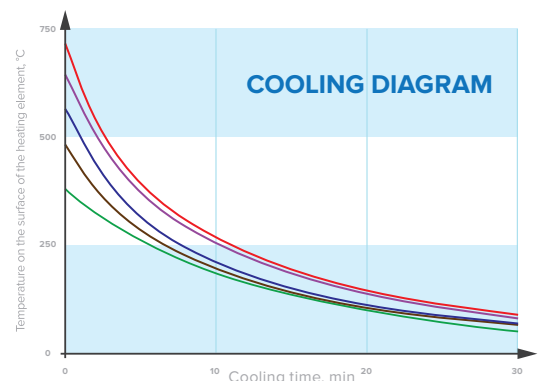
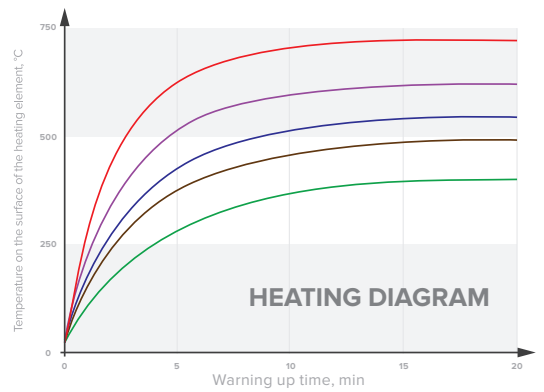
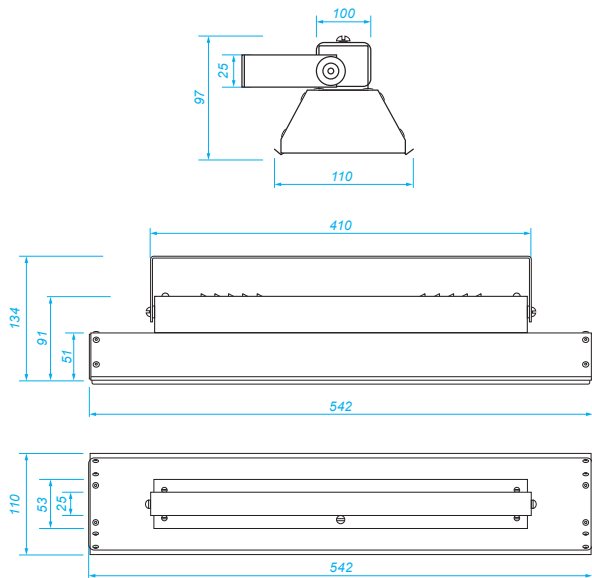
InfraLine-212 is a double-section heater with a thermally insulated stainless-steel reflector. It is designed for use as a source of directed long-wave radiant heat during the heating and drying of various materials. Affordable, durable, and flexible solutions for many technological processes that require precisely targeted heat.



POWER, W	500	800	1000	1300	2000
Heater size, element, heating surface size and emissivity	542x110x134 mm, 245x60 mm, $F_{iz1} = 170,9 \text{ cm}^2$, $\epsilon_1 = 0.96$				
Beam angle	$\alpha_1 = 70^\circ$				
Radiating surface maximum temperature, $\beta_1 = 90^\circ T_{iz1} \text{ } ^\circ\text{C}^{(1)}$	400	490	540	610	720
Time needed to reach the operating temperature ⁽¹⁾ , min	20	18	16	14	12
Protection degree	20				
Curb weight, kg	2.6				

1 - reached at ambient temperature from +18 to +25 °C

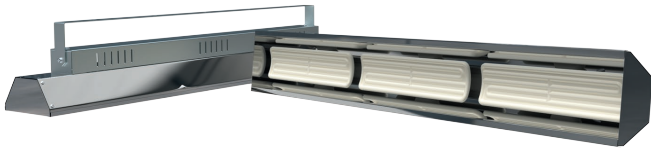
2 - blue color highlights the characteristics of the base model



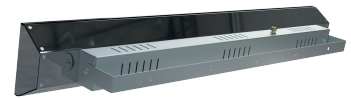
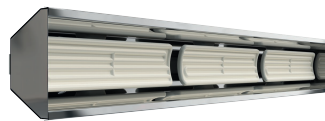
INFRALINE INDUSTRIAL INFRARED HEATERS

INFRALINE-213

CERAMIC INFRARED HEATER



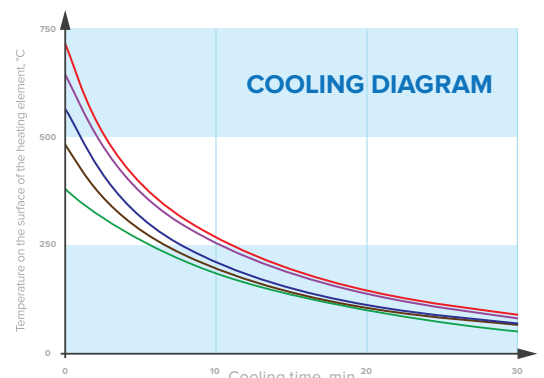
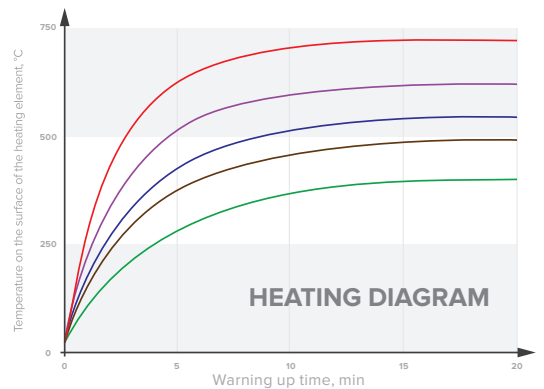
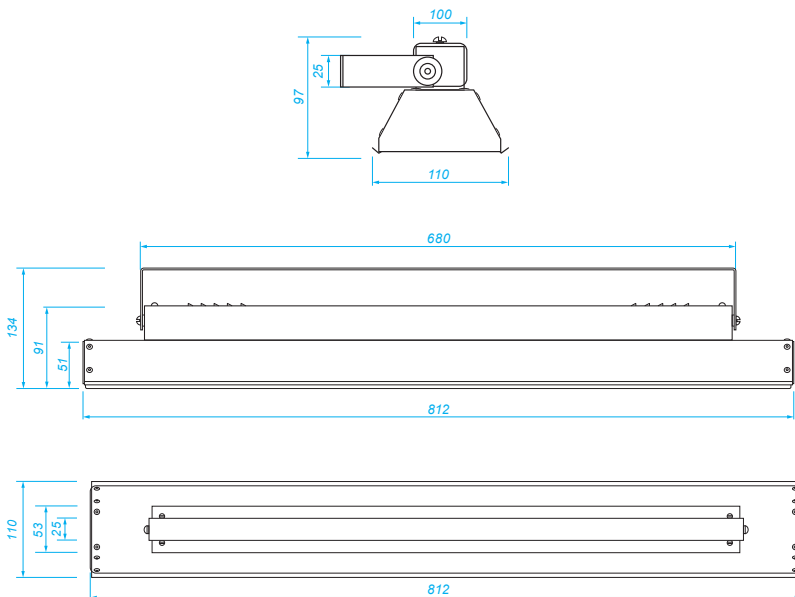
InfraLine-213 is a triple-section heater with a thermally insulated stainless-steel reflector. It is designed for use as a source of directed long-wave radiant heat during the heating and drying of various materials. Affordable, durable, and flexible solution for many technological processes that require precisely targeted heat.



POWER, W	750	1200	1500	1950	2400
Heater size, element, heating surface size and emissivity	812x110x134 mm, 245x60 mm, $F_{iz1} = 170,9 \text{ cm}^2$, $\epsilon_1 = 0.96$				
Beam angle	$\alpha_1 = 70^\circ$				
Radiating surface maximum temperature, $\beta_1 = 90^\circ T_{iz1} \text{ } ^\circ\text{C}^{(1)}$	400	490	540	615	660
Time needed to reach the operating temperature ⁽¹⁾ , min	20	18	16	14	13
Protection degree	20				
Curb weight, kg	3.8				

1 - reached at ambient temperature from +18 to +25 °C

2 - blue color highlights the characteristics of the base model



FULL SERVICE CUSTOM INFRARED HEATING SOLUTIONS



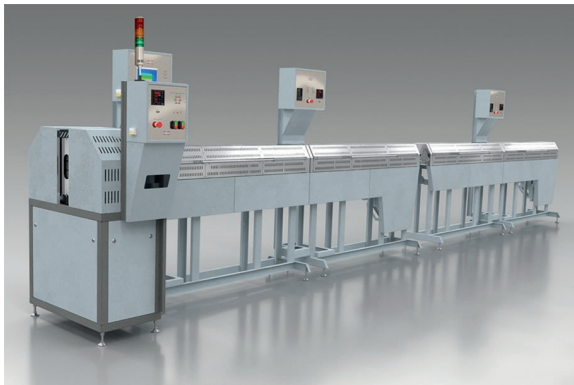
MODULAR INFRARED TUNNELS



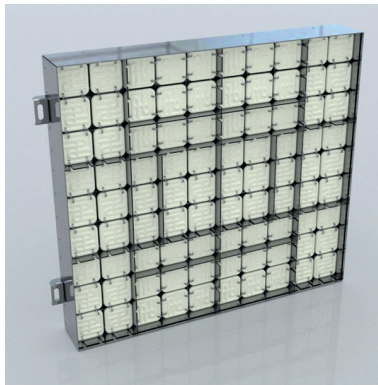
SINGLE-SECTION TUNNELS



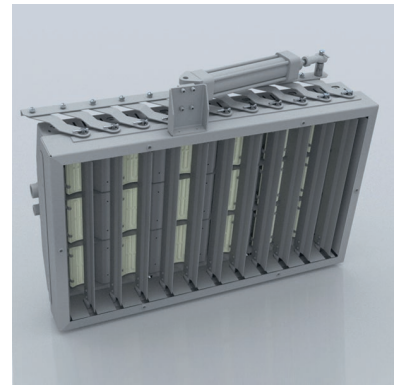
VERTICAL IR TUNNELS



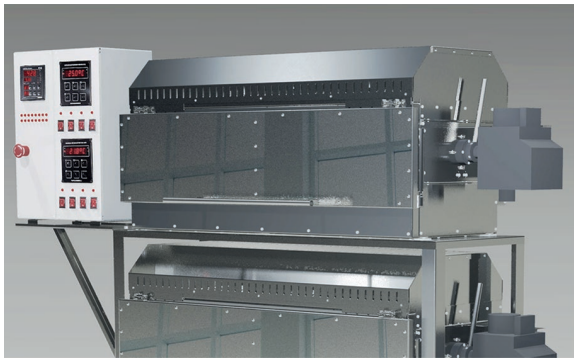
CONVEYOR INFRARED TUNNELS



INFRARED PANELS



CONVEYOR PANELS



HEAT SHRINK TUBING OVENS



MULTIPURPOSE OVENS



LARGE SCALE OVENS

EUROLINIA is a manufacturing company founded in 1993 in Minsk (Belarus).

We specialize in production of a wide variety of infrared equipment and components ranging from basic ceramic and quartz heating elements to sophisticated IR tunnels and IR panels with automatic control systems and custom software.

WE NEVER STOP TO
THINK.INNOVATE.INFRARED

Kozlova lane 7A, Minsk city,
220037 Republic of Belarus

IGOR KOZLOVSKY
EUROLINIA
CEO & FOUNDER